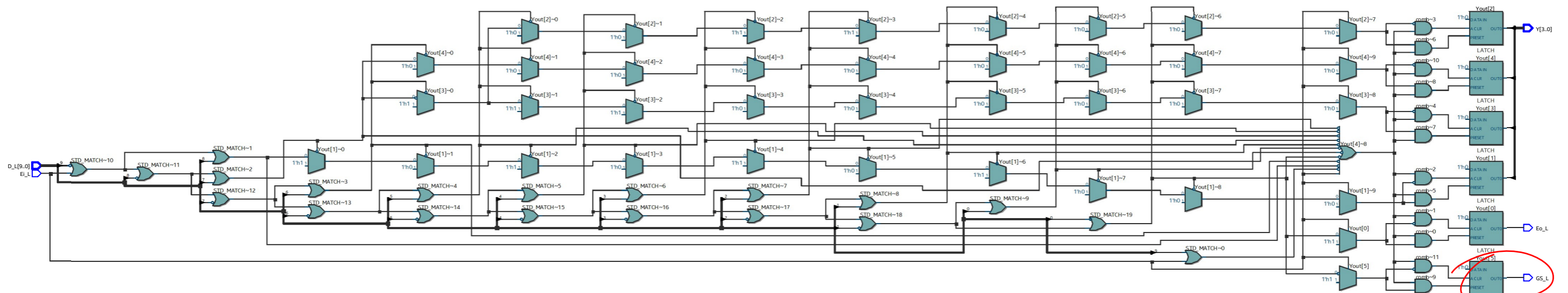


Plan B → EXAMPLE of a WRONG SYNTHESIS



Look how many complications in the final design, by use some truth table rows or combinations are not COVERED memory cell !!

Memory cells such latches or flip-flop registers MUST NOT be here