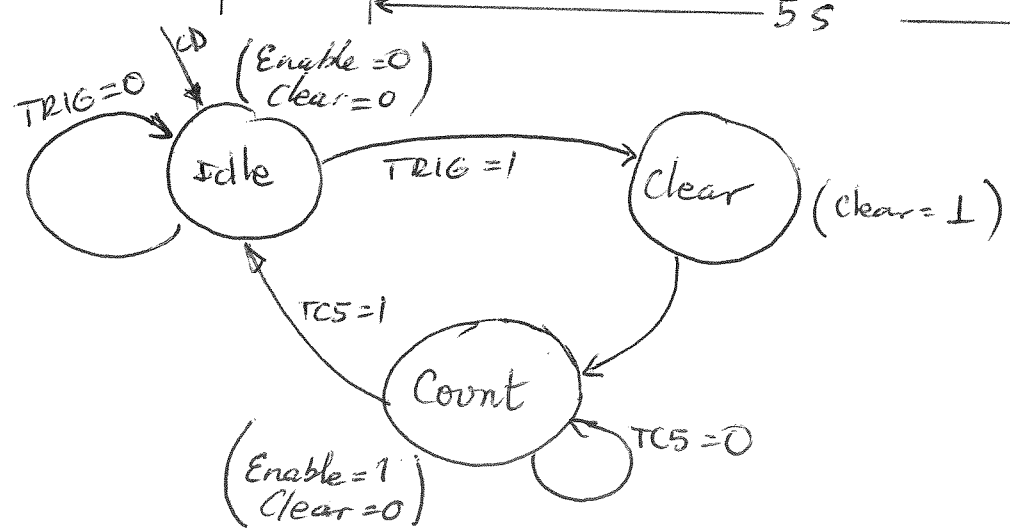
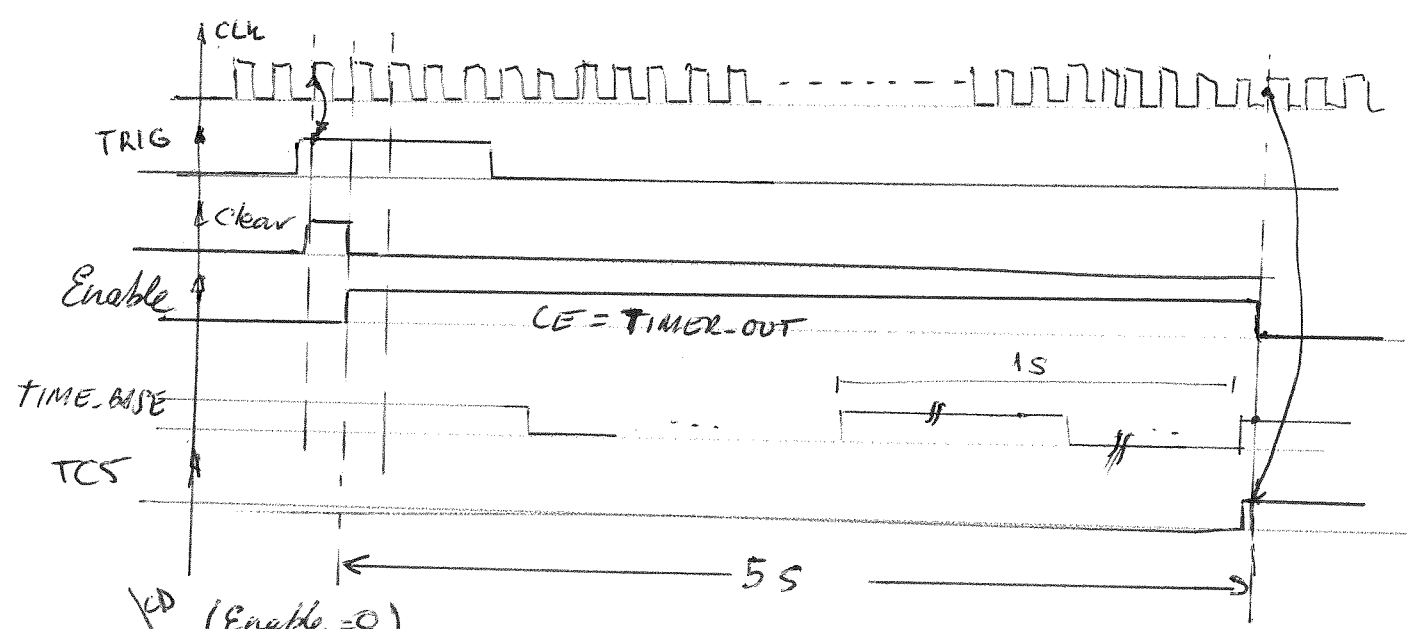
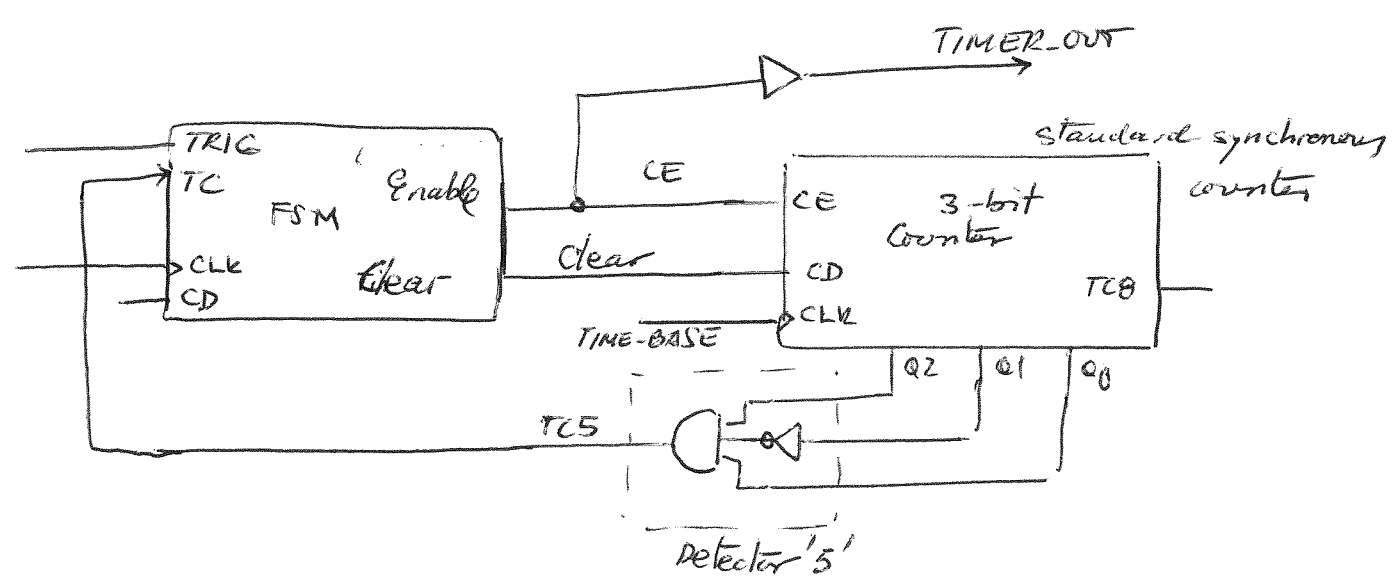
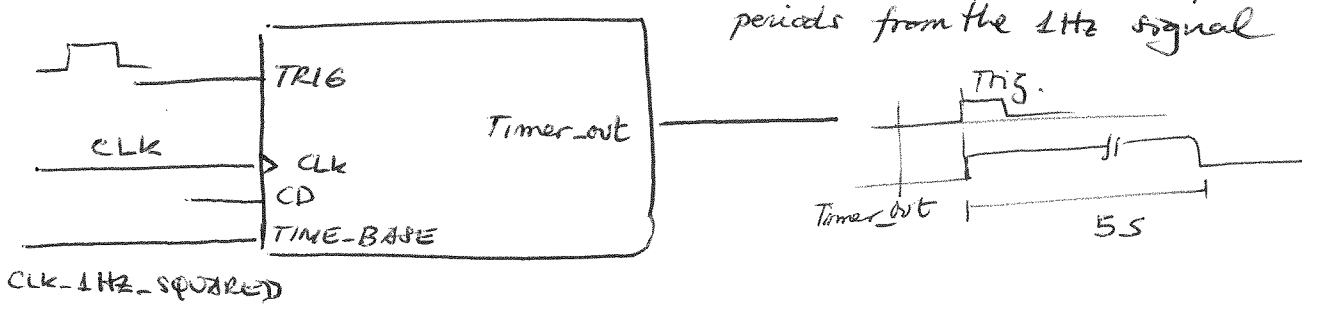


The 5s timer

The idea is to count up to 5 periods from the 1Hz signal



For example
 The state machine may run this state diagram to control the counter device.