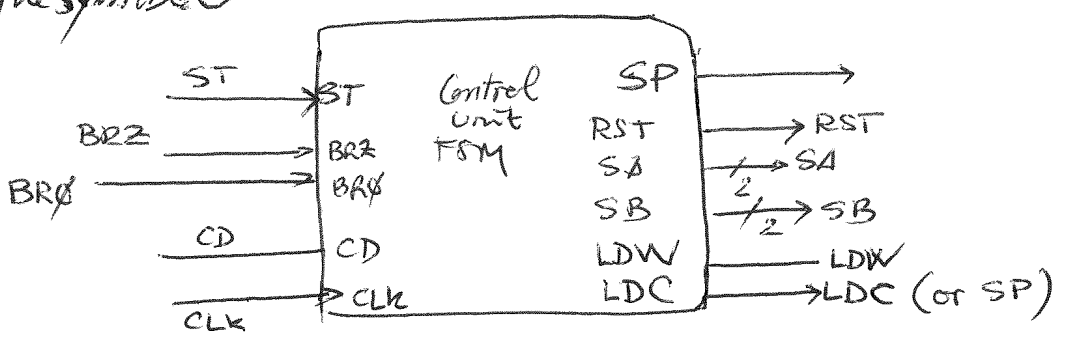
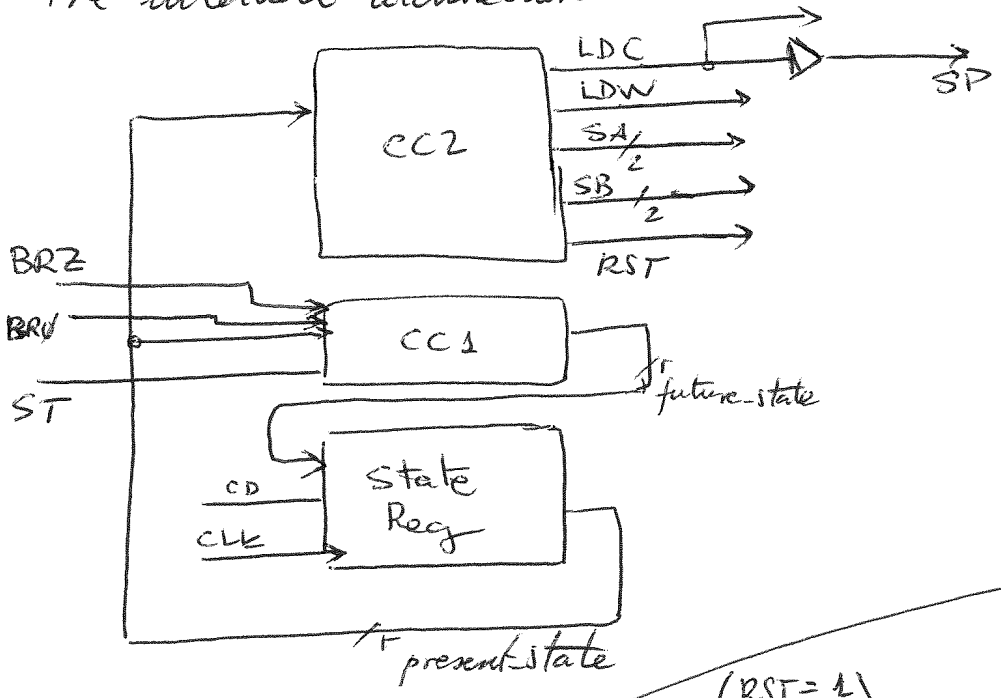


The multiplier FSM to control the datapath

• The symbol



• The internal architecture



• State Diagram

