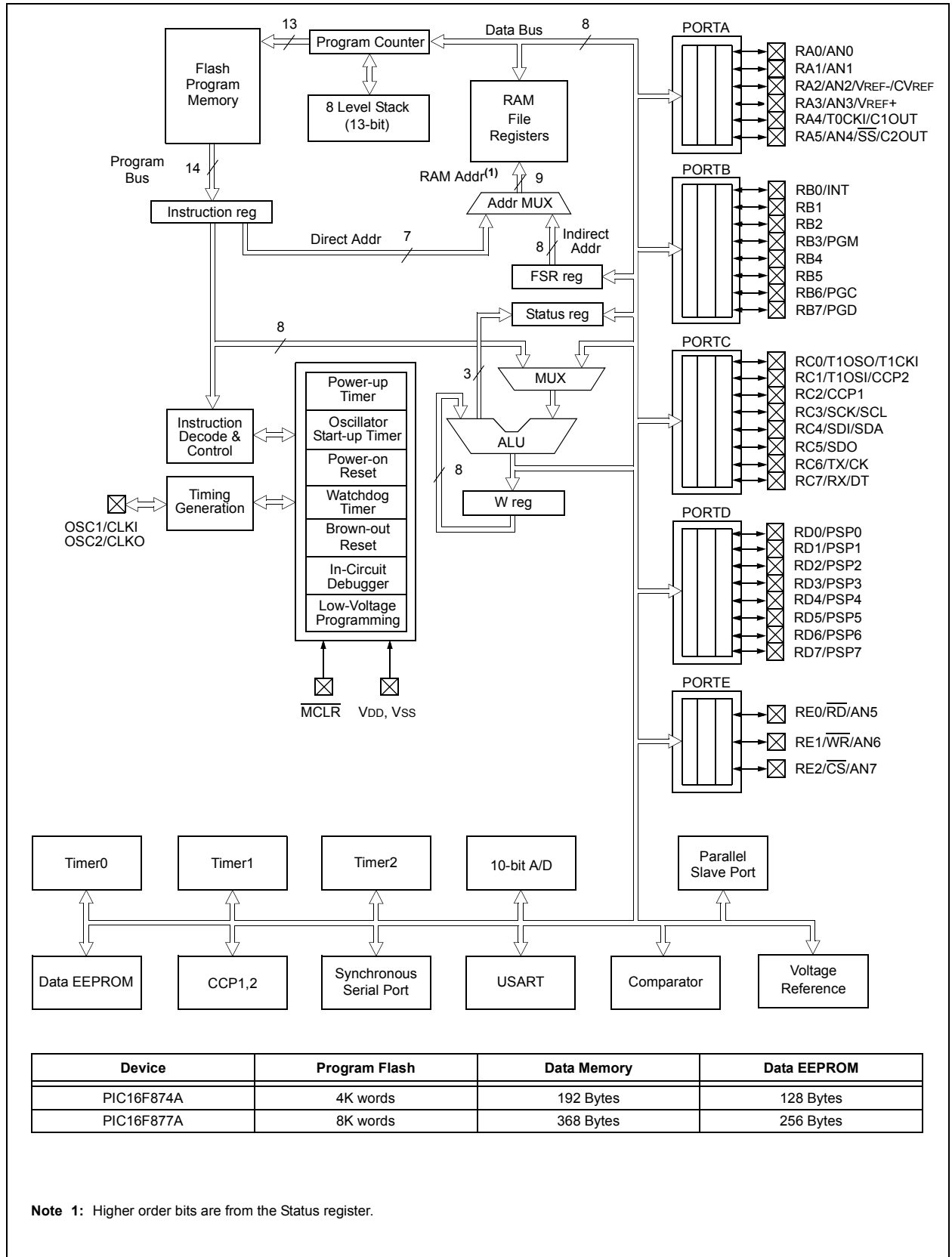


FIGURE 1-2: PIC16F874A/877A BLOCK DIAGRAM



Device	Program Flash	Data Memory	Data EEPROM
PIC16F874A	4K words	192 Bytes	128 Bytes
PIC16F877A	8K words	368 Bytes	256 Bytes