

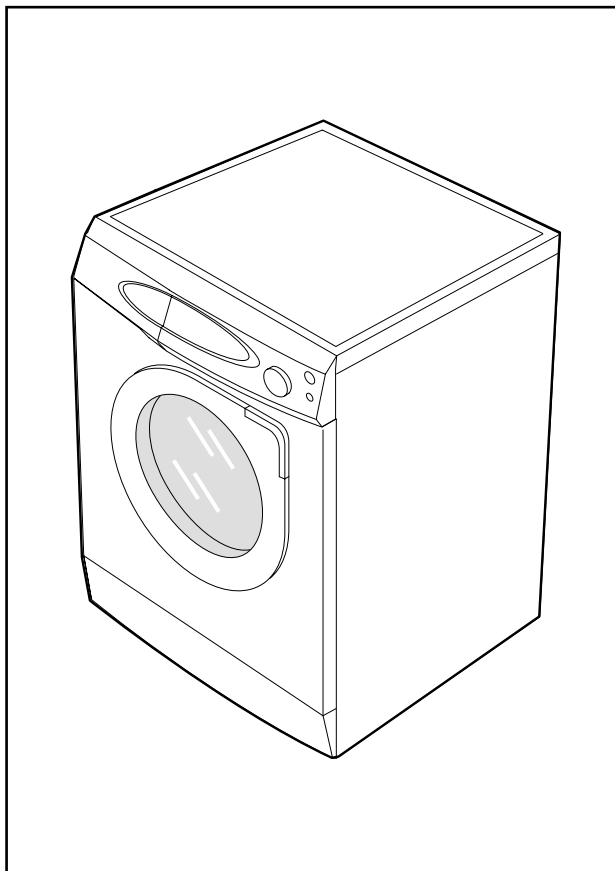


WASHING MACHINE

SWF-P8
SWF-P10
SWF-P12G2
SWF-P12GD2

SERVICE *Manual*

WASHING MACHINE



AMFO

CONTENTS

 Caution for the safety during servicing

1. SPECIFICATIONS
2. OVERVIEW OF THE WASHING MACHINE
3. OVERVIEW OF THE CONTROL PANEL
4. GENERAL ERROR FUNCTION
5. TROUBLE DIAGNOSIS
6. TEST MODE
7. DESIGNATION OF MAIN COMPONENTS
8. PCB SCHEMATIC DIAGRAM
PCB CIRCUIT DIAGRAM
9. ASSEMBLE AND DISASSEMBLE
10. TOOLS FOR DISASSEMBLY AND ASSEMBLY
11. EXPLODED VIEW AND PARTS LIST



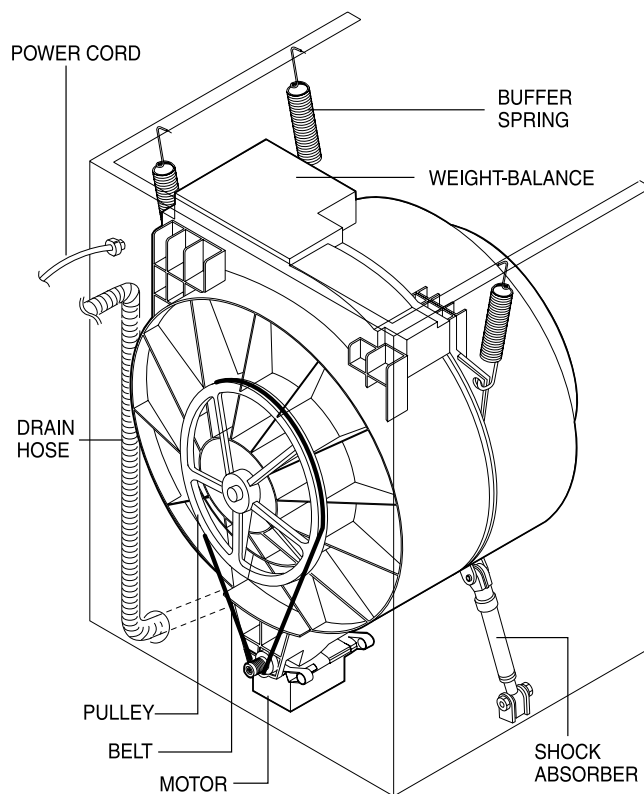
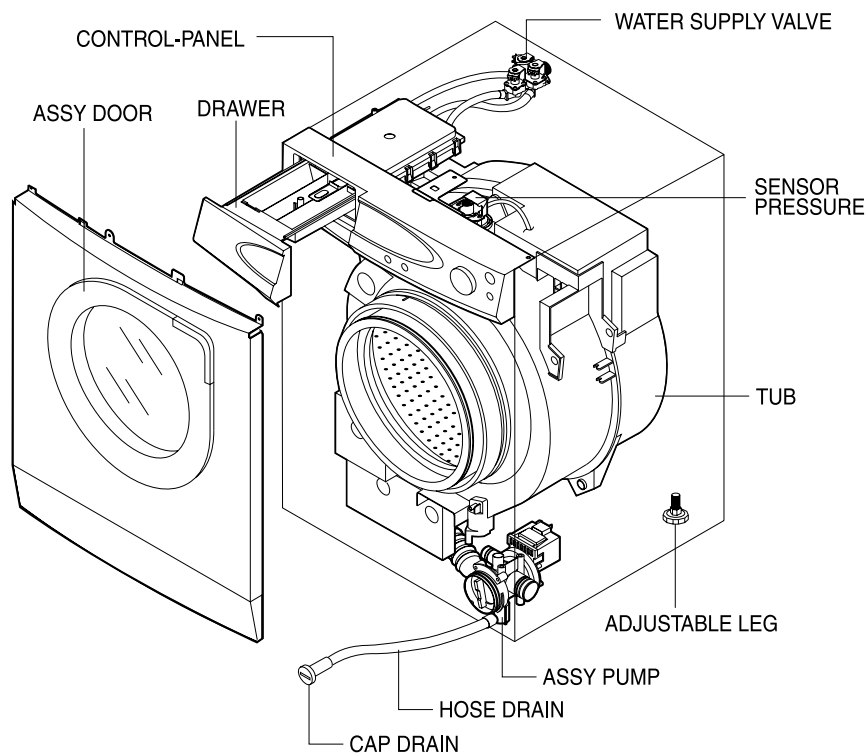
Caution for the safety during servicing

- 1. Do not allow the customer to repair the product.**
 - ☞ The person may be injured or the product life may be shortened.
- 2. Execute A/S after unplugging the power supply unit.**
 - ☞ Be care of the electric shock.
- 3. Do not plug several plugs in the same outlet.**
 - ☞ It may cause the fire due to overheat.
- 4. Check the damage, pressing or burning of the power plug or outlet.**
 - ☞ Replace it promptly if it has problem.(It may cause the electric shock or fire)
- 5. Do not clean the main body with the water.**
 - ☞ It may cause the electric shock and fire and shorten the product life)
- 6. The wiring of the harness shall be free from the moisture and tightened during serving.**
 - ☞ It shall not be deviated by certain impact.
- 7. Remove any dust or filth on the housing section,wiring section,connection section during servicing.**
 - ☞ Protect the cause of the fire such as the tracking,shortage and etc.
- 8. Check any mark of the moisture on the electrical parts, harness section and etc.**
 - ☞ Replace the parts or remove the moisture.
- 9. Check the assembly status of the parts after servicing.**
 - ☞ Maintain the status before servicing.
- 10. Pull out the power cord with holding the plug.**
 - ☞ Be care of the electric shock and fire when the cord is damaged.
- 11. Unplug the power plug from the outlet when the wash machine is not used.**
 - ☞ Be care of the electric shock and fire due to the strike of the lightning.
- 12. Do not use or store the spray or flammable materials(including gasoline,alcohol and etc.) around the wash machine.**
 - ☞ Be care of the explosion or fire due to the electric spark.
- 13. Do not put the bowl of water or wet laundry on the wash machine.**
 - ☞ If the water is penetrated to the wash machine, this may cause the electric shock or fire.
- 14. Do not install the wash machine in the place where the snow or rain falls.**
 - ☞ It may cause the electric shock and fire and shorten the product life.
- 15. Do not push the control buttons with the awl,pin, or sharp materials.**
 - ☞ It may the electric shock and trouble.
- 16. Check the wash machine is leveled horizontally and installed properly on the floor.**
 - ☞ The vibration may shorten the product life.
- 17. Joint the wire by the connector correctly.**
 - ☞ When the wire is jointed by the tape, this may cause the fire due to the tracking.
- 18. When the wash machine is to be laid for the service, put the pad on the floor and lay the product at side slowly.**
 - ☞ If the wash machine is laid front, the relay may be damaged by the tub.
- 19. When the wash-heater is replaced, check it is inserted in the bracket-heater and screw the nut.**
 - ☞ If the wash-heater is not inserted in the bracket-heater properly, this may cause the noise and leakage since it is contacted to the drum.

1. Specifications

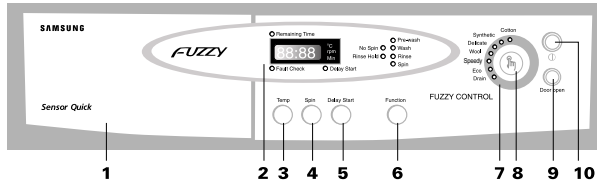
WASH TYPE	FRONT LOADING TYPE					
DIMENSION	GROSS	W 680mm X D 665mm X H 892mm				
	NET	W 598mm X D 550mm X H 844mm				
WATER PRESSURE	50 kPa ~ 800 kPa					
WEIGHT	GROSS	80 kg				
	NET	75 kg				
WASH and SPIN CAPACITY	5.0 kg (DRY LAUNDRY)					
POWER CONSUMPTION	WASHING	220 V		180 W		
		240 V		180 W		
	WASHING and HEATING	220 V		2400 W (P14 : 2000 W)		
		240 V		2800 W (P14 : 2400 W)		
	SPIN	MODEL	SWF-P8	SWF-P10	SWF-P12	SWF-P14
		220-240V	430W	450W	500W	550W
PUMPING	34 W					
WATER CONSUMPTION	54l (STANDARD COURSE)					
SPIN REVOLUTION	MODEL	SWF-P8	SWF-P10	SWF-P12	SWF-P14	
	rpm	800	1000	1200	1400	

2. Overview of the Washing Machine

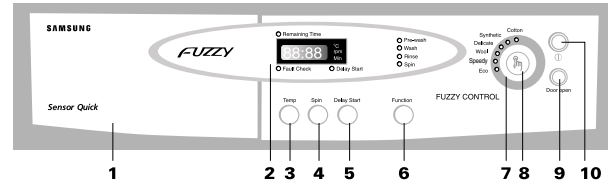


3. Overview of the control panel

SWF-P14



SWF-P12/SWF-P10/SWF-P8



1. Detergent dispenser

2. Display panel

Displays the remaining wash cycle time and error messages.

3. Temperature selection button

Press the button repeatedly to cycle through the available water temperature options (cold water, 30°C, 40°C, 60°C and 95°C).

When pressing this button during washing, you can see the selected temperature in the display panel.

4. Spin selection button

Press the button repeatedly to cycle through the available spin speed options. (no : No Spin, rh : Rinse Hold)

SWF-P14	no, rh, 400, 600, 800, 1000, 1200, 1400 rpm
SWF-P12	no, HoLd, 400, 600, 800, 1000, 1200 rpm
SWF-P10	no, HoLd, 400, 600, 800, 1000 rpm
SWF-P8	no, HoLd, 400, 600 rpm

When pressing this button during operation, you can see the selected spin speed in the display panel.

5. Delay Start button

Press the button repeatedly to cycle through the available delayed start options (from 1 hour to 24 hours in one hour increments).

6. Function button

Press the button repeatedly to cycle through the available partial wash options { Wash+Rinse+Spin → Spin → Rinse(1 time)+Spin → Rinse(2 times)+Spin → Rinse(3 times)+Spin → Wash+Rinse+Spin}.

Note : Prewash is available only with Cotton, Synthetic or Delicate programs. "Rinse (3 times)+Spin" is not available with Speedy, Eco or Drain programs.

7. Fuzzy Control dial

Turn the dial to select one of the six or seven available wash programs.

SWF-P8/SWF-P10/SWF-P12	Cotton, Synthetic, Delicate, Wool, Speedy, Eco
SWF-P14	Cotton, Synthetic, Delicate, Wool, Speedy, Eco, Drain

8. Start/Pause button

Press to pause and restart programs.

9. Door Open button

Press to open the washing machine door.

10. ⏻ (On/Off) button

Press once to turn the washing machine on, press again to turn the washing machine off. If the washing machine power is left on for longer than 10 minutes without any buttons being touched, the power automatically turns off.

4. General Error Function

• When an error occurs, this function starts to keep generating error melody sounds and displays error indicators as shown in the followings per corresponding error by blinking in 0.5sec interval until the error status is completely cleared out. In this case, all the driving devices are turned off until the error is cleared out.

1. WATER SUPPLY ERROR

- Display shows 'E1'.
- Water Supply Error occurs when water level frequency does not show changes more than 100Hz or water is not supplied up to the water level presetting for 20 min or more at the time of initial water supply.
- The error status can be cleared by turning POWER S/W OFF and resuming the POWER ON initial status.

2. WATER DRAIN ERROR

- Display shows 'E2'.
- In case the water level frequency is 25.5KHz or less in the initial phase of UNB-detecting cycle.
- Water Drain error can be cleared by turning POWER S/W OFF and resuming the POWER ON initial status.

3. OVER-FLOW ERROR

- Display shows 'E3'.
- Over-Flow error occurs when the water level is in abnormal operation. It can be cleared by turning POWER S/W OFF. Water is drained prior to POWER S/W OFF and it is forced to be drained for 2 min if a frequency of more than 25.24 KHz is detected.

4. DOOR OPEN ERROR

- Display shows 'door'
- Door Open error can be cleared by closing the door.

5. UNBALANCE ERROR

- Display shows 'E4'.
- Laundry load is unbalanced; loosen any tangled laundry.
- If only one item of clothing needs washing, such as a bathrobe or jeans, the final spin result might be unsatisfactory and an "E4" error message will be shown in the display window.
- Unbalance error is cleared by POWER S/W OFF and by resuming the POWER ON initial status.

6. WATER HEATER ERROR

- Display shows 'E5,E6'.
- In case the water temperature rises by 40°C or more in 5 min. or by 2°C less in 10 min after heating is started.
- It can be cleared by turning POWER S/W OFF.

7. ASS'Y PRESSURE S/W ERROR

* Generated Frequency Signal of WATER LEVEL(W/L) S/W (KHz)

Level	Low Level	High Level
Abnormal W/L Frequency	30.00 KHz	15.00 KHz

- If the same signal as the above table is detected for more than 5 seconds, it is a PRESSURE S/W Error.
- When the error occurs, water drain pump will operate for 3 min. and then turn off the water drain pump. Then the display shows 'E7' indicating a pressure s/w error indicator.

8. ABNORMAL WATER TEMPERATURE ERROR

Course	Water Temp
Delicate	50°C or more
Wool	50°C or more

- In case the water temperature is 50°C or more in Delicate and Wool course.
- At the time of initial water supply, if the water temperature is not appropriate, water starts to be drained and it is forced to be drained for 2 min when the abnormal frequency of 25.24KHz is detected.
- Display shows 'E8'.
- This error can be cleared by POWER S/W OFF.

9. WATER LEAKAGE ERROR (E9) SWF-P14 Only

- Water Leakage error occurs when water is drained naturally after washing performance starts.

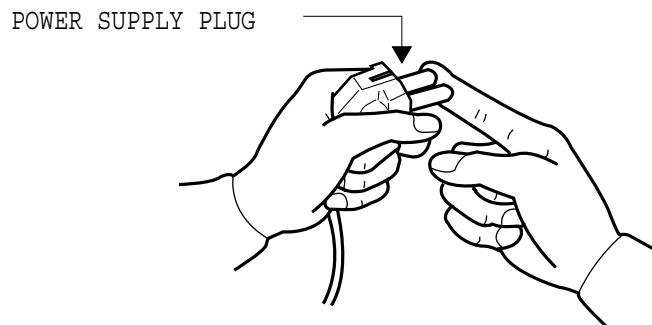
5. Trouble Diagnosis

- As the micom wash machine is configured of the complicate structure, there might be the service call. Below information is prepared for exact trouble diagnosis and suitable repair guide.

Caution for the Repair and Replacement

Please follow below instruction for the trouble diagnosis and parts replacement.

- 1) As some electronic components are damaged by the charged static electricity from the resin part of wash machine or the human body, prepare the human body earth or remove the potential difference of the human body and wash machine by contacting the power supply plug when the work contacting to PCB is executed.

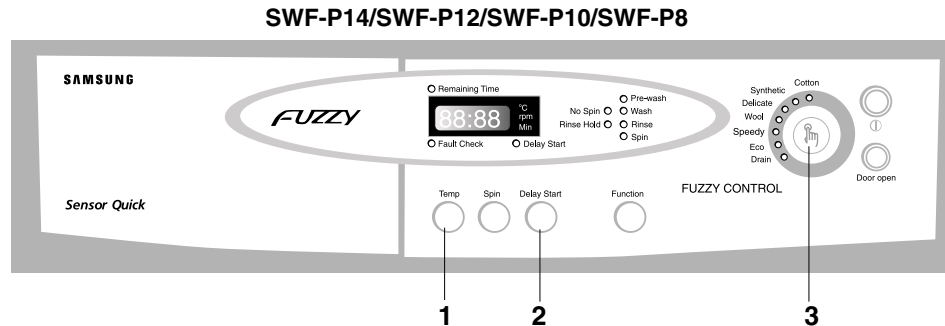


- 2) Since AC220~240V is applied to the triac T1 and T2 on P.C.B, the electric shock may occur by touching and be careful that the strong and weak electricity are mixed.
- 3) As the P.C.B assembly is designed for no trouble, do not replace the P.C.B assembly by the wrong diagnosis and follow the procedure of the trouble diagnosis when the micom is not operated normally.

5-1. Trouble Diagnosis

No	Item	Cause and treatment
1	The power is not supplied	<ul style="list-style-type: none"> - Is the PCB connector connected well? - Is the voltage normal? - Is the power supply plug connected well? - Is the noise filter connected well? - Is the secondary output of the power supply transformation normal? - Is the fuse disconnected? (option) • If above points are not found, the PCB assembly is out of order. Replace it.
2	The water is not supplied.	<ul style="list-style-type: none"> - Is the knob open? - Did you push START/PAUSE button after selecting the course? - Is the water supply valve connected well? - Is the winding of the water supply valve continuous? - Is the connection and operation of the pressure switch normal? • If above points are not found, the PCB assembly is out of order. Replace it.
3	The wash does not start though the water supply is stopped.	<ul style="list-style-type: none"> - Is the connection and operation of the pressure switch normal? - Is the pressure switch hose damaged so that the air is leaked? - Is the pressure switch hose bent? - Check the operation of the water level switch. • If above points are not found, the PCB assembly is out of order. Replace it.
4	The drum does not rotate during washing.	<ul style="list-style-type: none"> - Is the belt connected well? - Is the winding of the motor continuous? (Rotor winding, stator winding, generator) - Is the motor protector normal? • If above points are not found, the PCB assembly is out of order. Replace it.
5	The drum rotates by one direction during washing. (The drum rotates to one direction for SPIN.)	<ul style="list-style-type: none"> - The PCB assembly is out of order. Replace it. (Inversion relay open trouble)
6	Drainage problem.	<ul style="list-style-type: none"> - Is the drainage hose bent? - Is the winding of the drainage pump continuous? - Is the drain filter clogged by the waste? • If above points are not found, the PCB assembly is out of order. Replace it.
7	Dehydration problem.	<ul style="list-style-type: none"> - The unbalance is detected. - Put in the laundry uniformly and start again.
8	Abnormal noise during SPIN.	<ul style="list-style-type: none"> - Is the pulley nut loosen? - Is the transport safety device removed? - Is the product installed on the level and stable place? (Little noise may be generated during the high-speed SPIN.)
9	Leak breaker or current/leak breaker is down during washing.	<p><When the leak breaker and current breaker is installed separately></p> <ul style="list-style-type: none"> - When the leak breaker is down, check and make the earth of the outlet. - When the current is down, the current is leaked. <p><Is the breaker down when the leak/current breaker is combined?></p> <ul style="list-style-type: none"> - Check the rated capacity of the current and leak breaker. <p>The current breaker may be down due to the lack of the current when the wash machine and other apparatus are used. In this case, execute the cold water wash to check whether the current capacity is lack.</p>
10	The heating is not executed.	<ul style="list-style-type: none"> - Is the wash heater terminal unplugged? - Is the wash heater normal? - If above points are not found, the PCB assembly is out of order. Replace it.

6. Test Mode



1. Driving Compartment Test Mode

- A. Hold down "1" and "2" keys simultaneously and then press **⏻** POWER S/W on.
(Whole lamps turn on and display show "tE" or "tEst".)
- B. The driving compartment can be tested when you press "3" key right after entering into the initial stage of the TEST MODE.

• Driving Compartment Test

Pre-wash VALVE ON(0.3sec) → OFF(0.3sec) → COLD VALVE ON(0.3sec) → [OFF(0.3sec) → HOT VALVE ON (0.3sec) : **OPTION**] → OFF(0.3sec) → Rinse VALVE ON(0.3sec) → OFF(0.3sec) → Pump MOTOR ON(0.3sec) → OFF(0.3sec) → MOTOR RELAY1 ON(0.3sec) → OFF(0.3sec) → MOTOR RELAY2 ON(0.3sec) → OFF(0.3sec) → MOTOR RELAY2 ON(0.3sec) → OFF(0.3sec) → HEATER RELAY ON(0.3sec) → OFF(0.3sec) → DOOR OPEN (Function continues when door is closed)

2. THERMISTOR TEST MODE

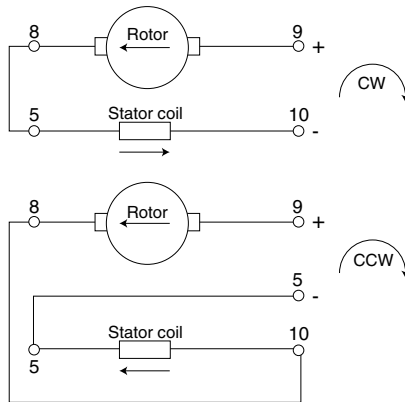
- A. Hold down "Delay Start" and Function keys simultaneously and then press POWER S/W on.
- B. Display shows the inside temperature of Tub.

3. UNBALANCE TEST MODE

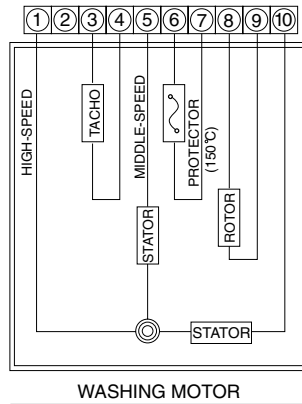
- A. Hold down "Temp" and "Spin" keys simultaneously and then press **⏻** POWER S/W ON.
- B. Display shows "Ut" or "Unbt" and the machine starts to sense the degree of deviation of the laundry balance for 1 minutes.
- C. After selecting the deviation degree of the laundry balance, it displays the data(in hex value) for 10 seconds.

7. Designation of Main Components

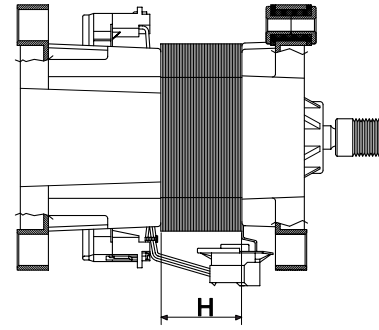
7-1 Normal / Reverse Revolution of Motor and R. P. M. Control



<Figure1>



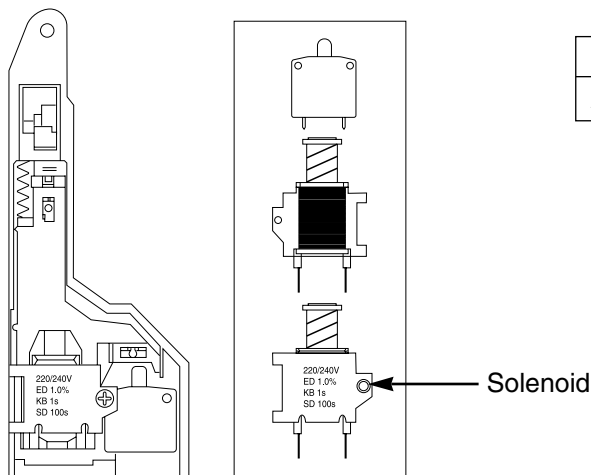
<Figure2>



<Figure3>

(± 7%)	STATOR(5.10)	STATOR(5.1)	ROTOR(8.9)	TACHO(3.4)	PROTECTOR(6.7)	"H"(mm)	Code-No	Remark
Resistance value	2.07 Ω	0.90 Ω	2.35 Ω ↑	42.7 Ω	0	45	DC31-00002C	B
Rated value	220~240V / 50Hz							

7-2 Door safety Device

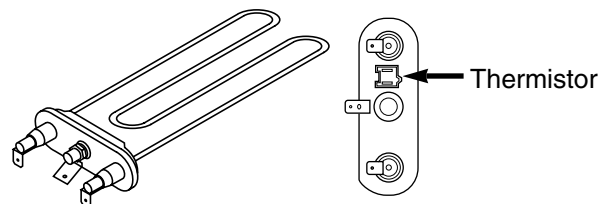


Model	Code No.	Solenoid Coil Resistance
All Model	DC61-00115A	210Ω±10%

7-3 Heater

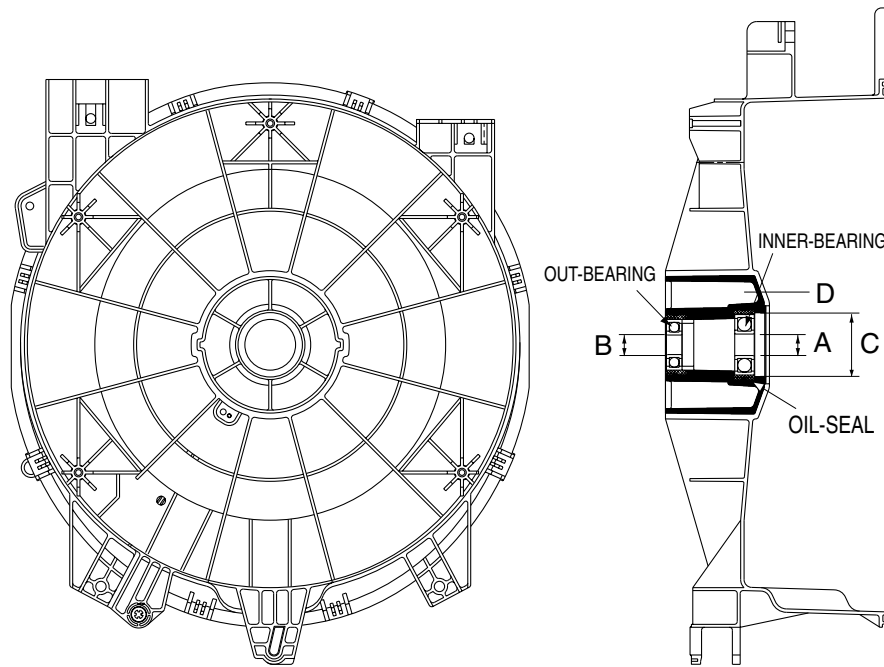
- 1) Capacity : AC 230V/2500W (SWF-P14:2000W)
- 2) Location : Bottom of TUB
- 3) Function : Raise the water temperature supplied at the wash process.

4) Resistance value :	SWF-P14	23~29Ω
	SWF-P12	20.5~21.5Ω
	SWF-P10	
	SWF-P8	



- 5) Thermal Fuse : 128°C

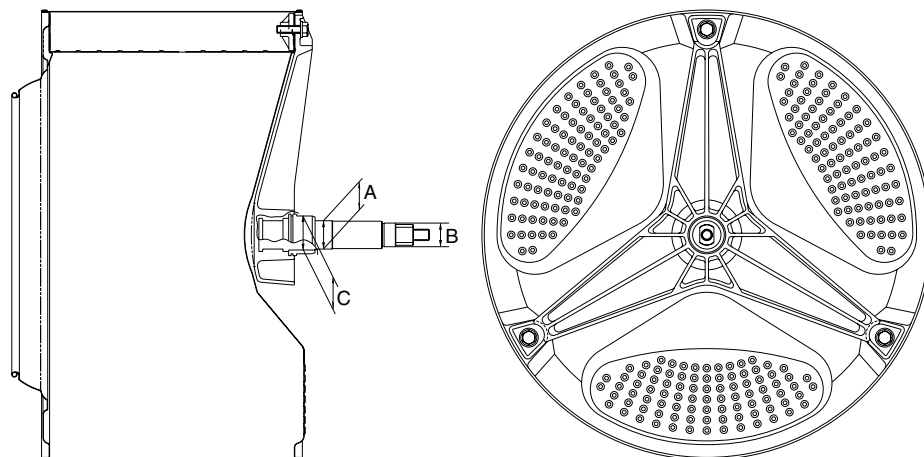
7-4 ASSY-TUB BACK



(unit : mm)

TYPE	INNER-BEARING(A)	OUT-BEARING(B)	OIL-SEAL(C)	Assy-Housing Bearing(D)	Assy-Tub Back	REMARK
I	ø 30	ø 25	ø 43.9	DC97-00419A	DC97-00214A	SWF-P14
II	ø 30	ø 25	ø 43.9	DC97-00125A	DC97-00214B	SWF-P12, SWF-P10
III	ø 20	ø 17	ø 24.3	DC97-00215B	DC97-00214C	SWF-P8

7-5 ASSY- DRUM

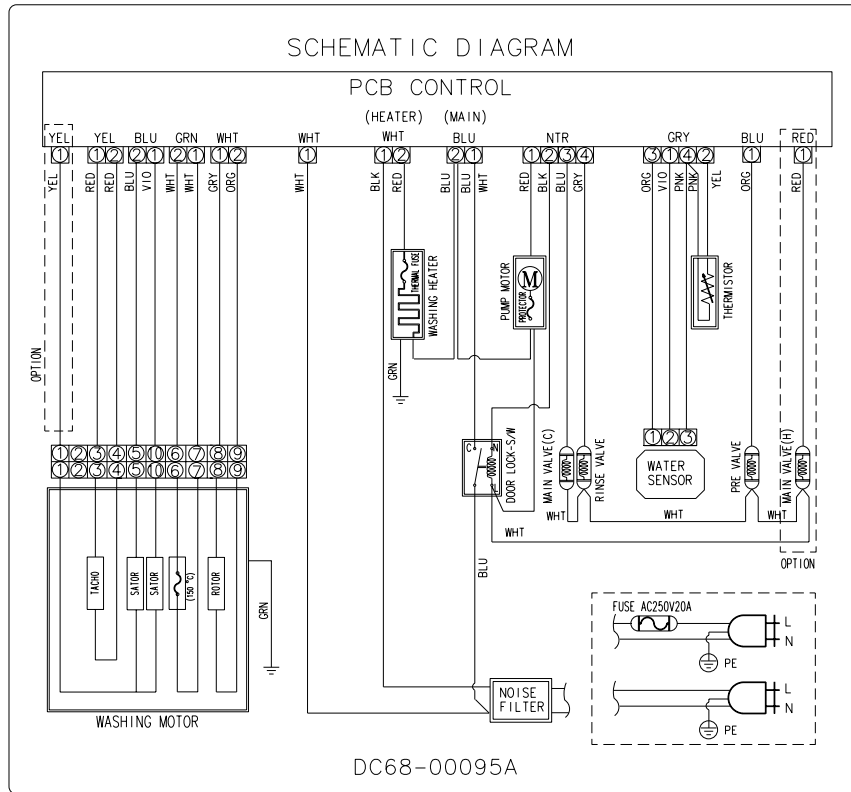


(unit : mm)

TYPE	(A)	(B)	(C)	CODE-NO.	REMARK
I	ø 30	ø 25	ø 44.7	DC97-00785B	SWF-P14, SWF-P12
II	ø 30	ø 25	ø 44.7	DC91-12281A	SWF-P10
III	ø 20	ø 17	ø 25	DC97-00785A	SWF-P8

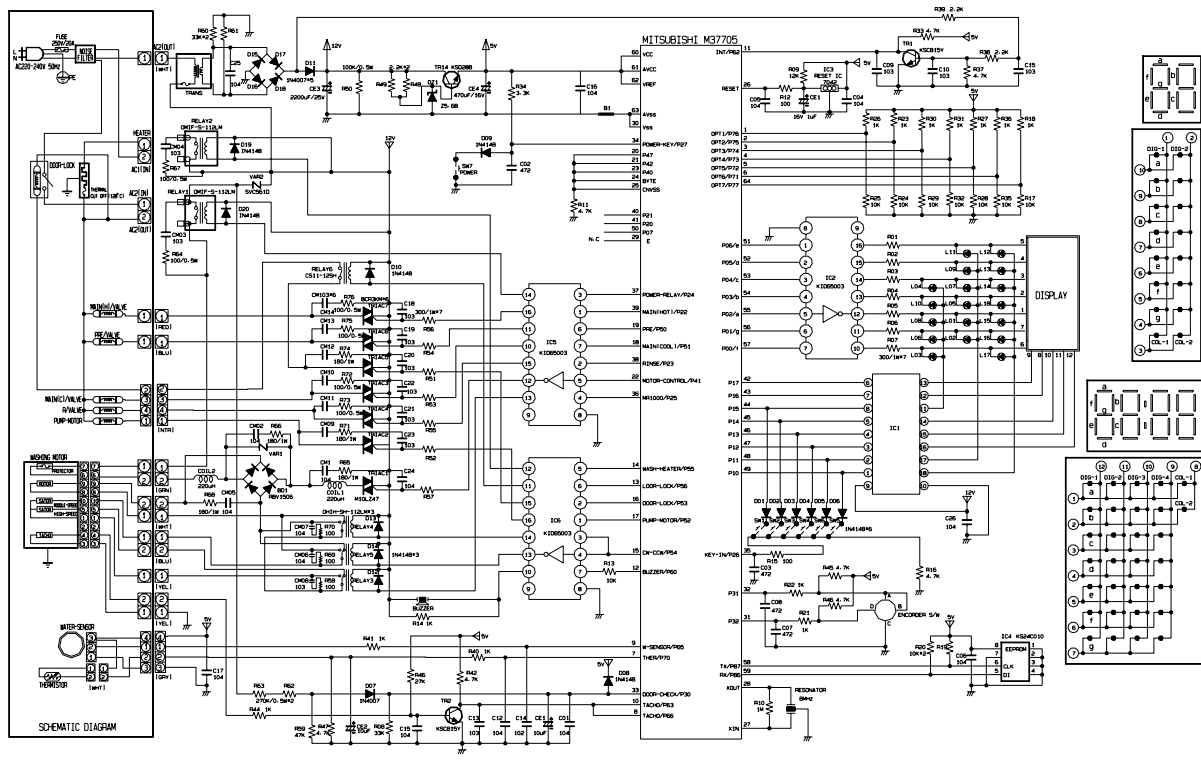
8. PCB Schematic Diagram

SWF-P14
 SWF-P12
 SWF-P10
 SWF-P8



8. PCB CIRCUIT DIAGRAM

SWF-P14/P12/P10/P8



8-1. WB : ASSY-PCB Part List

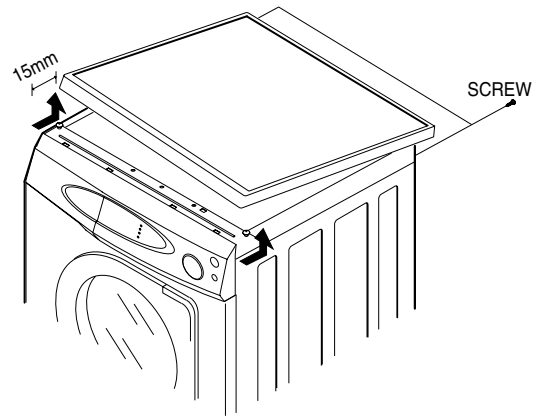
SWF-P14/P12/P10/P8

NO.	Part Code	Code No.	Q'ty	Description	Specificatio	Remark
1	WB002	1401-001007	1	THYRISTOR-TRIAC	10A,SM10LZ47(TOSHIBA)	TRIAC1
2	WB002	1401-001024	5	THYRISTOR-TRIAC	2A,SM2LZ47(TOSHIBA)	TRIAC 2~6
3	WB003	0402-001023	1	DIODE-BRIDGE	RBV1506,600V,15A,SIP-4	BD1
4	WB004	3501-001156	2	RELAY-POWER	12VDC,0.53W,16000MA,1FORMA	RELAY 1~2
5	WB004	3501-001157	3	RELAY-POWER	12VDC,0.53W,16000MA,1FORMC	RELAY 3~5
6	WB004	3501-001007	1	RELAY	12Vdc,200mW,5A,(TAKAMISAYA)	RELAY6
7	WA010	DC26-00005B	1	TRANS-FORMER	450MA,220~240VAC,11VDC	TRANS
8	WB003	0402-000137	6	DIODE-RECTIFIER	1N4007,1000V,1A	D07,D11,D15~D19 D23
9	WB003	0403-000509	1	DIODE-ZENER	MTZJ5.6B,5.6V,5.45-5.73V	ZD1
10	WB006	0502-000288	1	TR-POWER	KSD288,NPN,25W,TO-220	TR14
11	WB006	0501-000389	2	TR-SMALL SIGNAL	KSC815,NPN,400mW	TR1,TR2
12	WB007	1203-000515	1	IC-VOL. DETECTOR	7042,TO-92,3P	IC3
13	WB008	2802-001058	1	RESONATOR-CERAMIC	8MHz,0.2%,TP,10x5x8mm	RESO
14	WB007	DE13-20017A	3	IC-DRIVE	KID65003AP,DIP,16P,STICK	IC1,IC5,IC6
15	WB007	1103-001160	1	IC-EEPROM	4C010,128X8BIT,DIP,8P	IC4
16	WB009	DE30-20016A	1	BUZZER	CBE2220BA,STICK	BZ
17	WB010	3404-001022	7	SWITCH-TACT	15V,20mA,130°±40gf,6x6x5mm	SW 1~8
18	WB011	DE07-20040A	16	LED LAMP	SLH-34VC70F,RED,T,PI5	
19	WB012	0703-001056	1	LED DISPLAY	Y-GRN,4dig,7seg,46X19X24.6mm	

9. Assemble and Disassemble

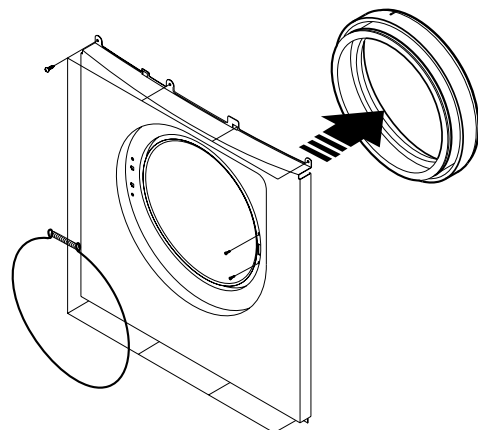
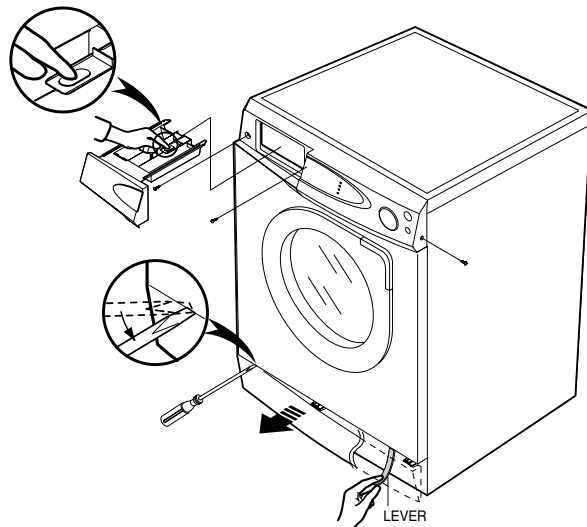
1. ASS'Y-COVER TOP

- 1) Remove two screws fixing the top-cover on back side.
- 2) Push the top-cover back about 15mm and pull it up.
- 3) It's possible to exchange and service Assy-Panel (PCB), the pressure-sensor, the noise-filter, the water valve and trans(option).



2. FRAME FRONT

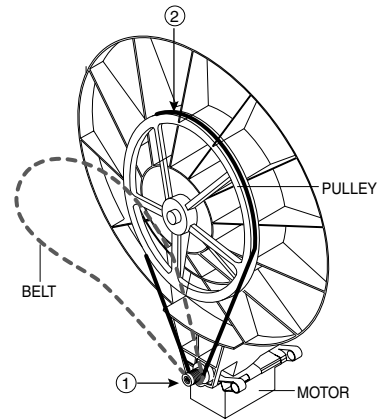
- 1) Remove the top-cover and the ass'y drawer.
- 2) Remove two screws fixing the control-panel on front side and the screw on right side.
- 3) Remove the cover-front(L) by using the (-)driver.
- 4) Pull the lever and open the ass'y-door.
- 5) Part the diaphragm and the wire diaphragm away from the frame-front.
- 6) Remove the eight screws fixing the frame-front.
- 7) It's possible to exchange and service the heater, the pump, the shock-absorber and the door lock s/w.



9. Assemble and Disassemble

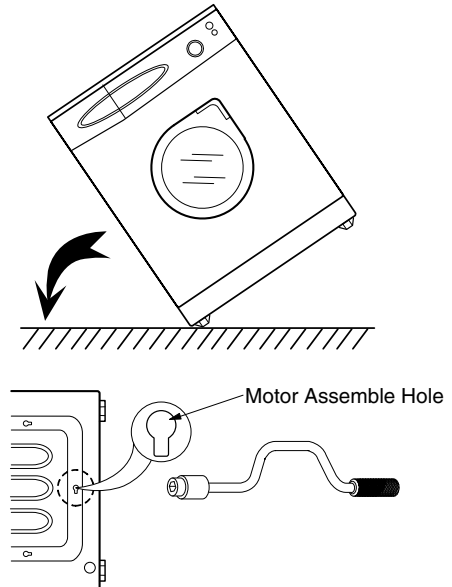
3. BELT

- 1) Remove the top-cover.
- 2) Disassemble and assemble the belt.
- 3) Check the belt is located at center of the motor-pulley.
<When assemble the belt>
Hook the belt on the motor pulley 1) and place it around the pulley 2).



4. MOTOR

- 1) Lay down the washer on left side.
- 2) Remove the wire housing from the motor.
- 3) Remove the bolt fixing the motor with the box drive on back side.
- 4) Remove the motor.



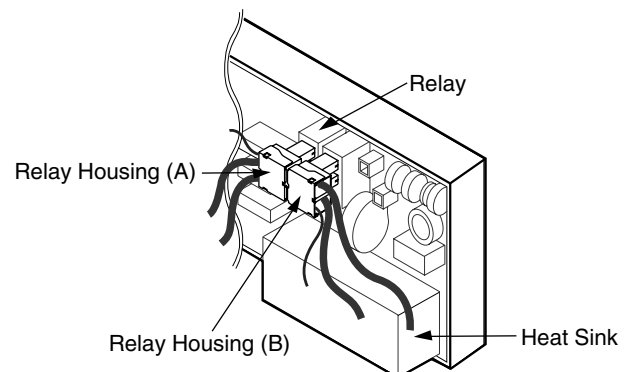
5. How to Assemble the RELAY Housing.

<CAUTION>

Insert the Relay Housing to the Relays on the opposite direction each other.

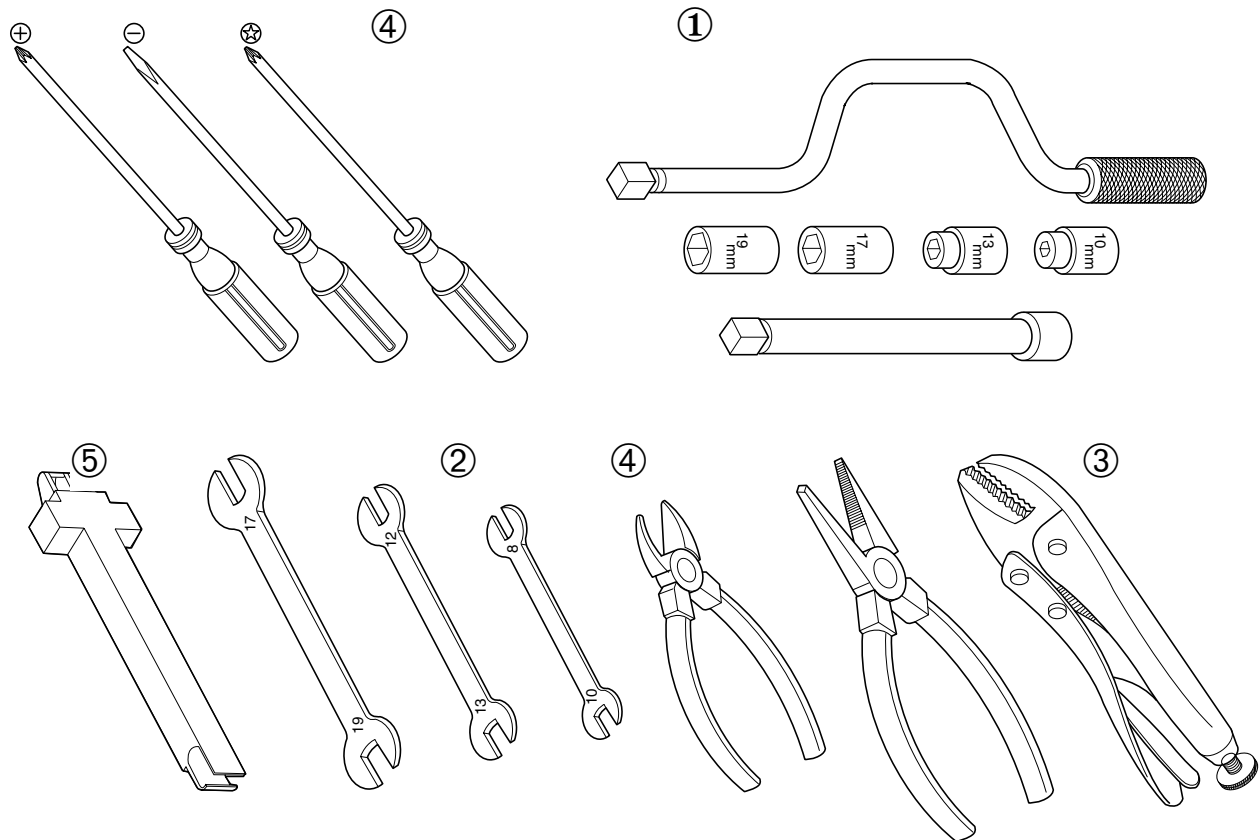
[Relay Housing Color]

Model	A	B
All Model	WHITE	BLUE



10. Tools for Disassembly and Assembly

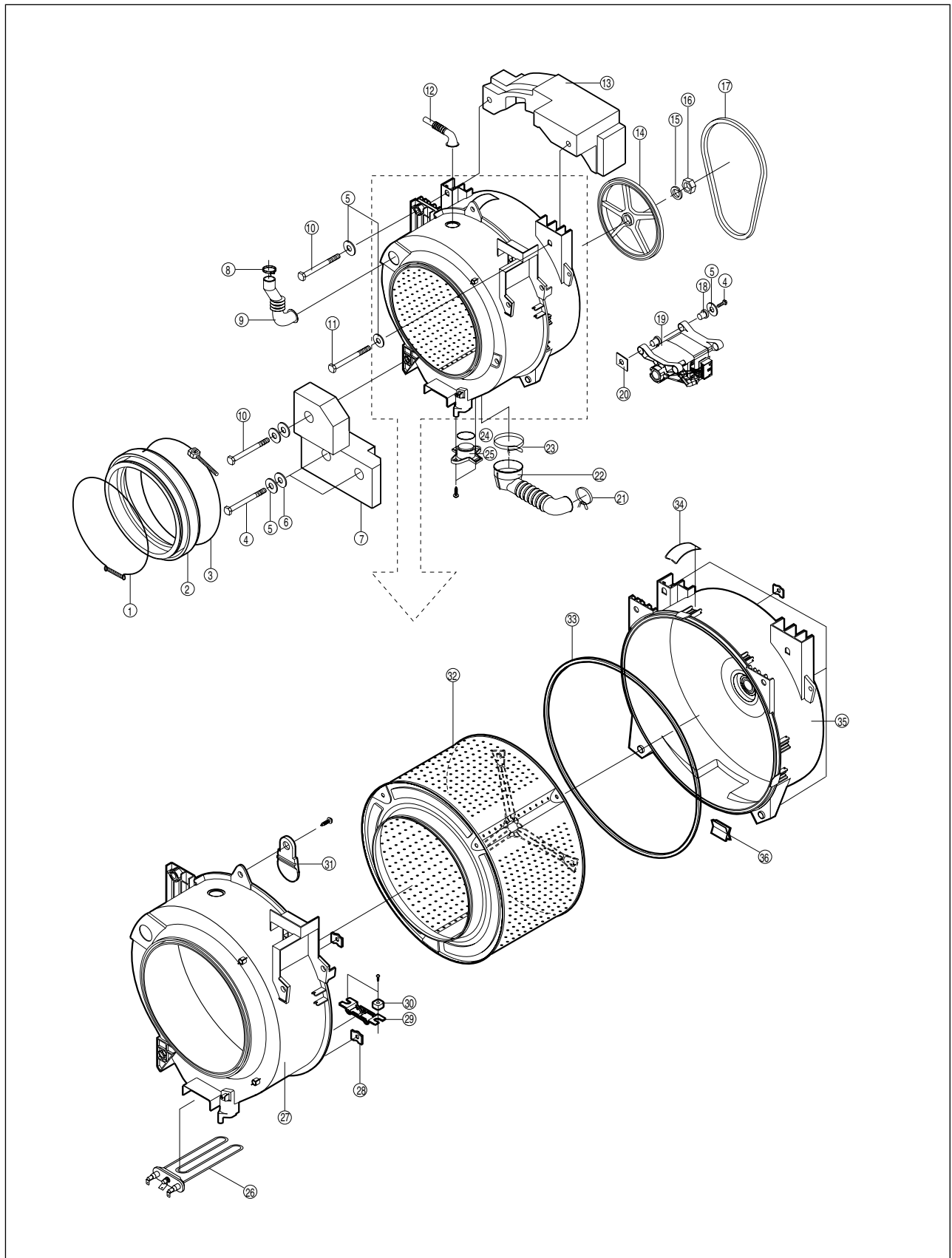
NO.	TOOL		
①	Box driver	10mm 13mm 17mm 19mm	Heater (1) Motor (1), Balance (5) 2 holes of each left and right of the shock absorber 1 Pulley hole
②	Double-ended spanner	10, 13 17, 19mm	Replaceable for the box driver. Since the bolt runs idle when the box driver is used, use the box driver 17mm.
③	Vice pliers		Tool to protect the idle and abrasion of the bolt for the box driver.
④	Other(Driver, Nipper, Long nose)		General tools for the after service.
⑤	JIG for the Tub		1 (Disassemble and Assemble)



11-1. WC:TOP(FRONT) Parts List

NO	Location No	Description	Code No	Q'ty	P8	P10	P12	P14	SVC Part	
1	WCD01	ASSY-PANEL FRONT	DC97-00004S	1	●				○	
			DC97-00004R	1		●			○	
			DC97-00004Q	1			●			○
			DC97-00004W	1				●		○
2	WCD02	BODY-DRAWER	DC61-30348A	1	●	●	●	●	○	
3	WCD03	GUIDE-LIQUID	DC61-60498A	1	●	●		●	○	
4	WC005	CAP-RINSE	DC61-10687A	1	●	●	●	●	○	
5	WC001	ASSY-PANEL CONTROL	DC97-00703W	1	●	●	●		○	
			DC97-00703X	1				●		○
6	WZ001	SCREW TAPPING	6002-000445	2	●	●	●	●		
7	WB001	ASSY PCB PARTS	MF-P8C-00	1	●				○	
			MF-P10C-00	1		●			○	
			MF-P12C-00	1			●			○
			MF-P14C-00	1				●		○
8	WZ001	SCREW TAPPING	DC60-20049A	3	●	●	●	●		
9	WCD04	ASSY-FRAME PLATE(U)	DC97-00417A	1	●	●	●	●	○	
10	WCD05	ASSY-HOUSING DRAWER	DC91-12085A	1	●	●	●	●	○	
11	WZ001	SCREW TAPPING	DC60-20049A	1	●	●	●	●		
12	WCD06	DECORATION-LID	DC64-20013B	1	●	●			○	
			DC64-20013A	1			●		○	
			DC64-20013D	1				●		○
13	WCD07	COVER-DOOR	DC61-10682A	1	●	●	●	●	○	
14	WCD08	DOOR-GLASS	DC61-00013A	1	●	●	●	●	○	
15	WCD09	HOLDER-GLASS	DC61-40346A	1	●	●	●	●	○	
16	WCD10	LEVER-DOOR	DC66-30161A	1	●	●	●	●	○	
17	WCD11	ASSY-HINGE	DC97-00100A	1	●	●	●	●	○	
18	WZ008	WASHER-PLAIN	DC60-60025C	2	●	●	●	●		
19	WZ016	NUT-FLANGE	DD60-50018A	2	●	●	●	●		
20	WCD12	ASSY-FRAME FRONT	DC97-00416A	1	●	●	●	●	○	

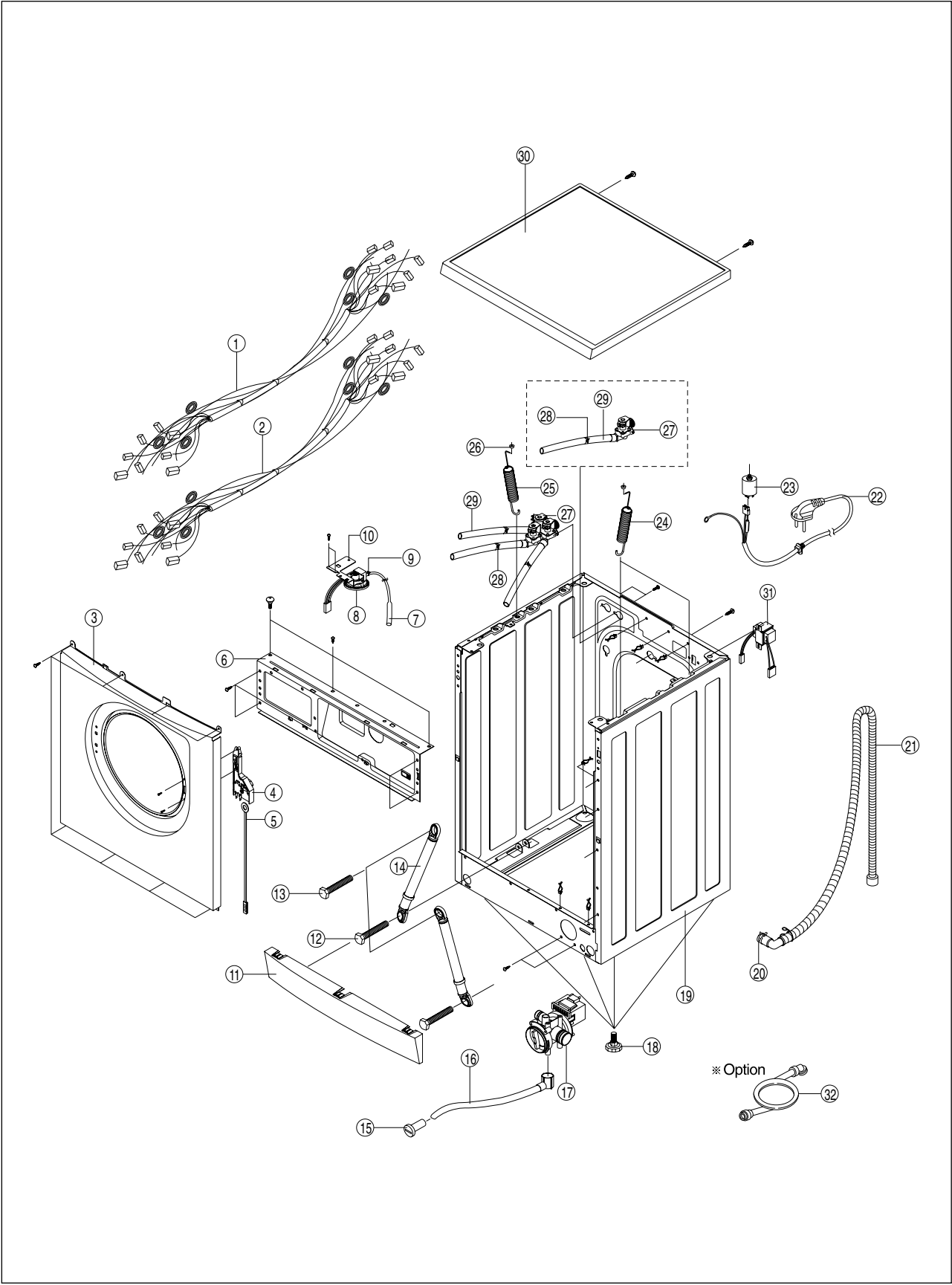
12. WD : TUB - Exploded View



12-1. WD : ASSY-TUB - Parts List

NO	Location No	Description	Code No	Q'ty	P8	P10	P12	P14	SVC Part
1	WDD01	ASSY-WIRE DIAPHRAGM	DC91-12078A	1	●	●	●	●	○
2	WDD02	DOOR-DIAPHRAGM	DC61-20219A	1	●	●	●	●	○
3	WDD03	ASSY-CLAMP DIAPHRAGM	DC97-00850A	1	●	●	●	●	○
4	WDD04	BOLT-W.MOTOR	DC60-40138A	3	●	●	●	●	○
5	WZ008	WASHER-PLAIN	DC60-60044B	6	●	●	●	●	
6	WZ009	WASHER-NYLON	DC60-60040A	3	●	●	●	●	
7	WDD05	WEIGHT-BALANCER(L)	DC66-60154A	1	●	●	●	●	○
8	WZ010	BAND RING	DC65-60125A	1	●	●	●	●	
9	WDD06	HOSE-DRAWER TUB	DC62-10305A	1	●	●	●	●	○
10	WZ011	BOLT-HEX	DC60-40140A	2	●	●	●	●	
11	WZ012	BOLT-FLANGE	DC60-40132B	1	●	●	●	●	
12	WD007	HOSE-AIR	DC62-10303A	1	●	●	●	●	
13	WDD07	WEIGHT-BALANCER(U)	DC66-60153A	1	●	●	●	●	○
14	WD006	PULLEY	DC66-10176B	1	●	●	●	●	○
15	WZ014	WASHER-SPRING	DC60-60049A	1	●	●	●	●	
16	WZ013	NUT-HEX	DC60-50148B	1	●	●	●	●	
17	WD008	BELT-TRANSMISSION	DC66-10139B	1	●	●	●	●	○
18	WDD08	CUSHION-MOTOR	DC61-00041A	1	●	●	●	●	
19	WDD09	MOTOR-DRUM	DC31-00002C	1	●	●	●	●	○
20	WZ013	NUT-HEX	DC60-50156A	1	●	●	●	●	
21	WZ010	BAND RING	DC65-60118F	1	●	●	●	●	
22	WDD10	HOSE-FILTER TUB	DC62-10304A	1	●	●	●	●	○
23	WZ015	CLAMP-HOSE	DC61-60497A	1	●	●	●	●	
24	WDD11	PACKING-TRAP	DC62-40184A	1	●	●	●	●	
25	WD009	CAP-TRAP	DC61-10676A	1	●	●	●	●	○
26	WDD12	HEATER	DC62-50123A	1	●	●	●		○
			DC47-00001A	1				●	○
27	WDD13	TUB-FRONT	DC61-30346A	1	●	●	●	●	○
28	WDD14	BRACKET-NUT	DC61-40348B	5	●	●	●	●	
29	WDD15	BRACKET-HEATER	DC61-40344A	1	●	●	●	●	
30	WDD16	SPACER-HEATER	DC61-60496A	2	●	●	●	●	
31	WDD17	VANE-CHECK	DC62-20311A	1	●	●	●	●	
32	WDD18	ASSY-DRUM	DC97-00785A	1	●				○
			DC91-12281A	1		●			○
			DC97-00785B	1			●	●	○
33	WDD19	PACKING-TUB	DC62-40183A	1	●	●	●	●	
34	WDD20	CLIP-TUB	DC61-60499B	8	●	●	●	●	
35	WDD21	ASSY-TUB BACK	DC97-00214C	1	●				○
			DC97-00214B	1		●	●		○
			DC97-00214A	1				●	○
36	WDD20	CLIP-TUB	DC61-60520A	1	●	●	●	●	

13. WE:CASE - Exploded View



13-1. WE:ASSY CASE OUTER - Parts List

NO	Location No	Description	Code No	Q'ty	P8	P10	P12	P14	SVC Part
1	WA006	ASSY-M.WIRE HARNESS	DC96-00070B	1	●	●	●	●	○
2	WA007	ASSY-WIRE HARNESS(SUB)	DC96-00053A	1		●	●		○
			DC96-00053B	1	●				○
3	WCD12	ASSY-FRAME FRONT	DC97-00416A	1	●	●	●	●	○
4	WAD01	DOOR-LOCK S/W	DC61-00115A	1	●	●	●	●	○
5	WED02	LEVER	DC66-30160A	1	●	●	●	●	○
6	WCD04	ASSY-FRAME PLATE(U)	DC97-00417A	1	●	●	●	●	○
7	WED04	HOSE-PRESSURE	DC62-10311A	1	●	●	●	●	
8	WA002	SENSOR PRESSURE	DC32-30006P	1	●	●	●	●	○
9	WZ015	CLAMP-HOSE	DC61-60359D	1	●	●	●	●	
10	WED05	BRACKET-PRESSURE	DC61-40345A	1	●	●	●	●	
11	WED06	COVER-FRONT(L)	DC61-10672A	1	●	●	●	●	○
12	WZ011	BOLT-HEX	DC60-40144A	2	●	●	●	●	
13	WZ011	BOLT-HEX	DC60-40141A	2	●	●	●	●	
14	WED07	DAMPER-SHOCK	DC66-60149A	2	●	●	●	●	○
15	WED08	CAP-DRAIN	DC61-10673A	1	●	●	●	●	○
16	WD108	HOSE-DRAIN	DC62-10302A	1	●	●	●	●	○
17	WA003	ASSY-PUMP DRAIN	DC96-00115A	1	●	●	●	●	○
18	WE005	ASSY-LEG	DC91-12292A	4	●	●	●	●	○
19	WED09	ASSY-PAINT FRAME	DC99-00060A	1	●	●	●	●	○
20	WZ010	BAND RING	DC65-60125B	1	●	●	●	●	
21	WZ005	ASSY-HOSE DRAIN(O)	DC97-00139B	1	●	●	●	●	
22	WA001	ASSY-POWER CORD	DC96-00146A	1	●	●	●	●	○
23	WAD02	FILTER-EMI	DC29-00003A	1	●	●	●		○
			DC29-90001A	1				●	○
24	WED10	SPRING-HANGER	DC61-70217C	2	●	●	●	●	○
25	WED10	SPRING-HANGER	DC61-70216C	1	●	●	●	●	○
26	WED11	SLEEVE-PLUG	DC61-60180A	3	●	●	●	●	○
27	WA009	VALVE-WATER(3-WAY)	DC62-30309D	1	●	●	●	●	○
28	WZ015	CLAMP-HOSE	DC61-60063B	6	●	●	●	●	
29	WED12	HOSE-DRAWER	DC62-10068A	3	●	●	●	●	
30	WCD13	ASSY-COVER TOP	DC97-00851A	1	●	●	●	●	○
31	WA010	TRANS-FORMER	DC26-00005B	1	●	●	●		○
32	WZ007	ASSY-HOSE WATER(C)	DC62-10289B	1	●	●	●	●	○



ELECTRONICS

© Samsung Electronics Co., Ltd. Sep. 1999
Printed in Korea
Code No. : DC68 - 00561A