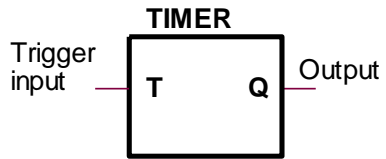


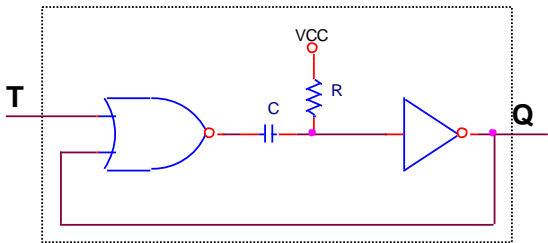
TIMER

Symbol

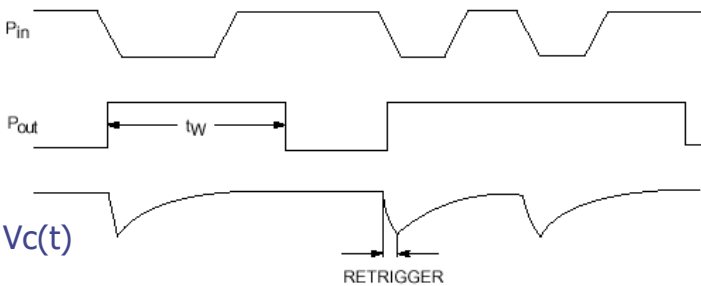


Internal design

Simplest circuit

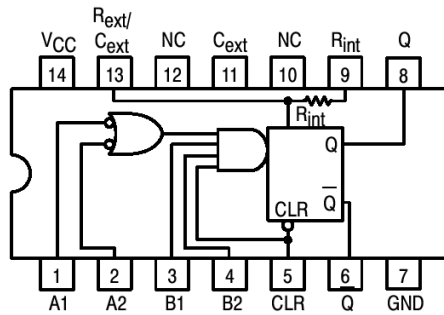


$$t_w = \ln 2 \cdot R \cdot C$$



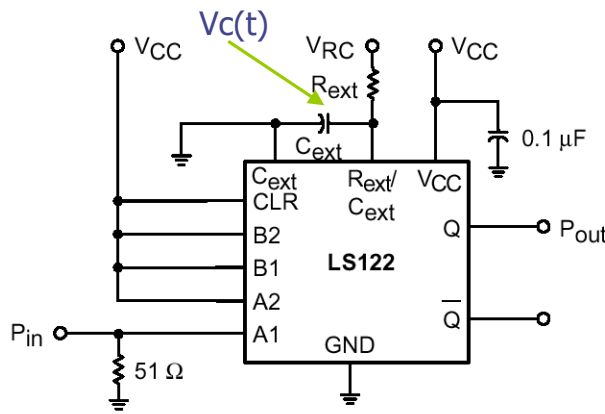
Commercial chips

121/122



Classic 555 chip

Manufacturer	Type Number
ECG Philips	ECG955M
Exar	XR-555
Fairchild	NE555
Harris	HA555
Intersil	SE555/NE555
Lithic Systems	LC555
Maxim	ICM7555
Motorola	MC1455/MC1555
National	LM1455/LM555C
NTE Sylvania	NTE955M
Raytheon	RM555/RC555
RCA	CA555/CA555C
Sanyo	LC7555
Texas Instruments	SN52555/SN72555



$$t_w = 0,45 \cdot R_{ext} \cdot C_{ext}$$

